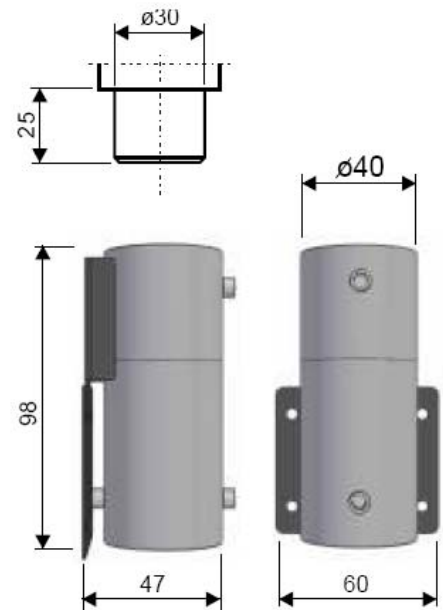


Code:	LFM 301RGB
Product:	RGB LED ILUMINATOR INDOOR
TYP:	RGB MIX COLOR
Nominal LED current:	350 mA
LED number	1
Max power in:	1W
Nominal Luminos flux:	5500K 40 lm in white color
Fibre Accept up to:	1000 pcs x dia 0,75mm
Out connection	RJ 45



Code: **LFM 301base** Optional
 Product: Base for LFM 301RGB
 Material: Coat steel

FIBREEMITY RGB LFM 301RGB RGB MIX COLOR can be controlled by:
 iDrive DMX 512
 CF RC wire less systemr with Radio Remote Control and PC USB Dongle Programing 12V/230V
 Simple Color Mixing Driver with IR Remote Control 12V/230V
 Not included